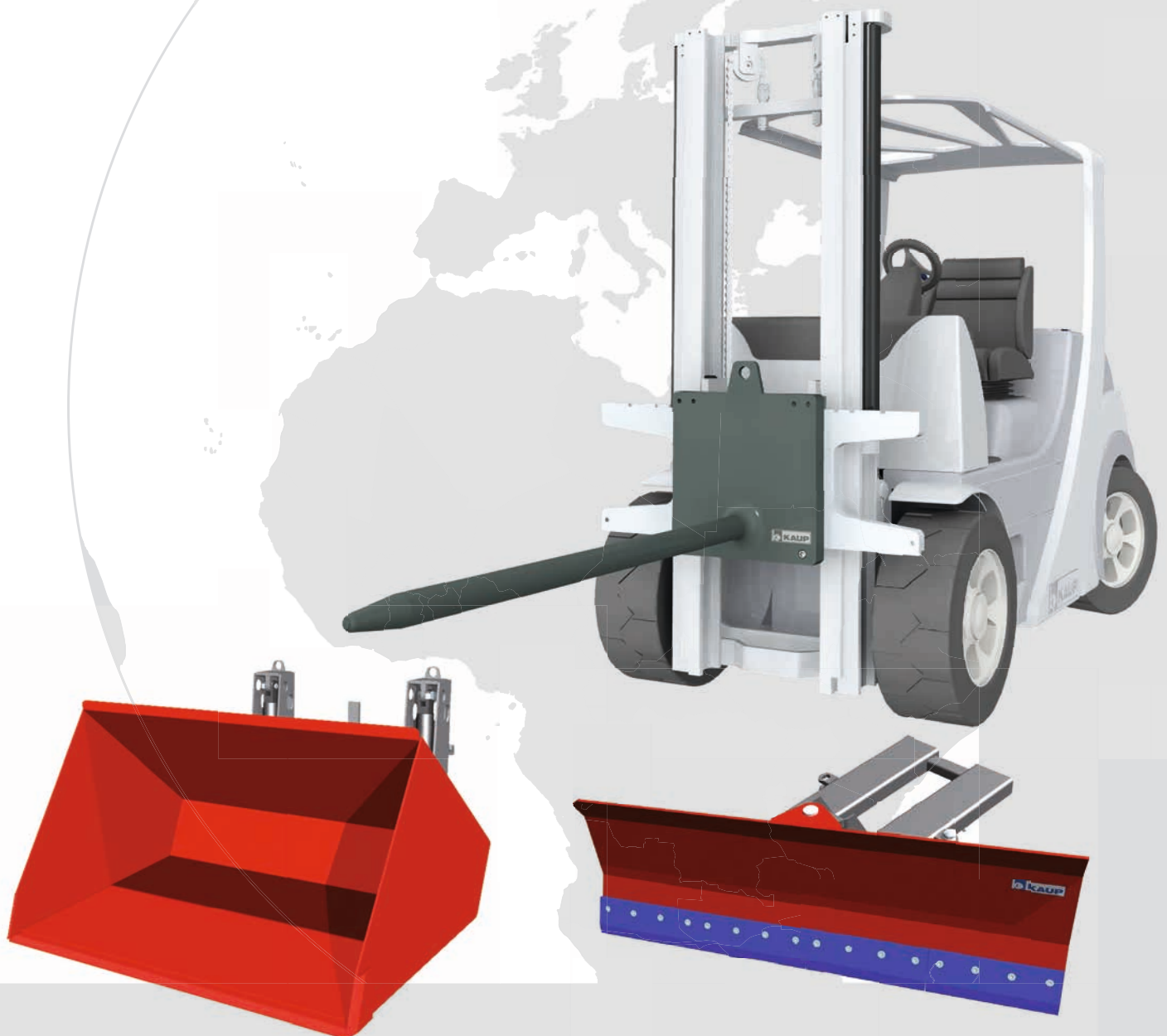




Helping hands for your Forklift truck

Carrying Ram T185
Loading Bucket T184
Snow Plough Blade T198



T185 · T184 · T198

Carrying rams are used on forklift trucks to simplify the handling of carpet rolls, pipes, coils of wire and sheet or other materials wound on cores. Mostly they are designed as truck attachments, meaning that they do not require supplementary energy.

Carpet Carrying Ram T185T

Very slender and relatively long rams are needed for handling carpet rolls on account of the small diameter of the core. This requires steels of high tensile and yield strength for their construction. Heat treated steels possessing good weldability and high strength characteristics are selected for Kaup carpet carrying rams. The material specified is 31 CrMoV9, which is excellent for this application.

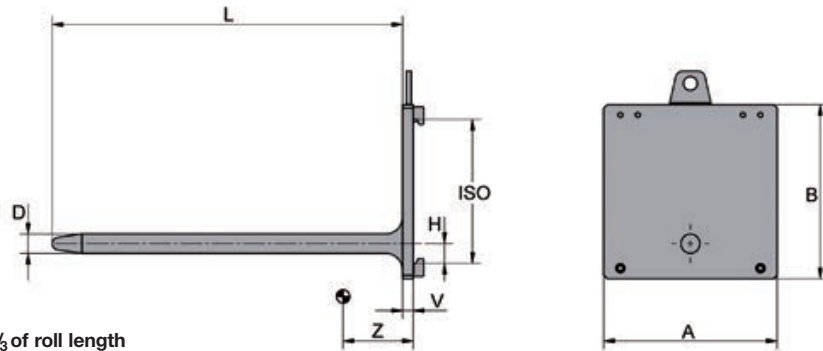
Length of a carpet carrying rams depends on the length of the carpet rolls to be handled and should be about two-thirds of the roll length (3.500 mm boom for 5.000 mm long carpet roll).



Carrying Ram T185 steel tube version

To handle loads that are not restricted in diameter, the KAUP range includes tubular rams with lifting capacities up to 80 tons. Mountings are available for ISO lift trucks and from 12 tons capacity upwards in PIN type. KAUP rams can optionally be finished with a durable plastic coating. Mounting plates can also be painted in high-visibility colors.



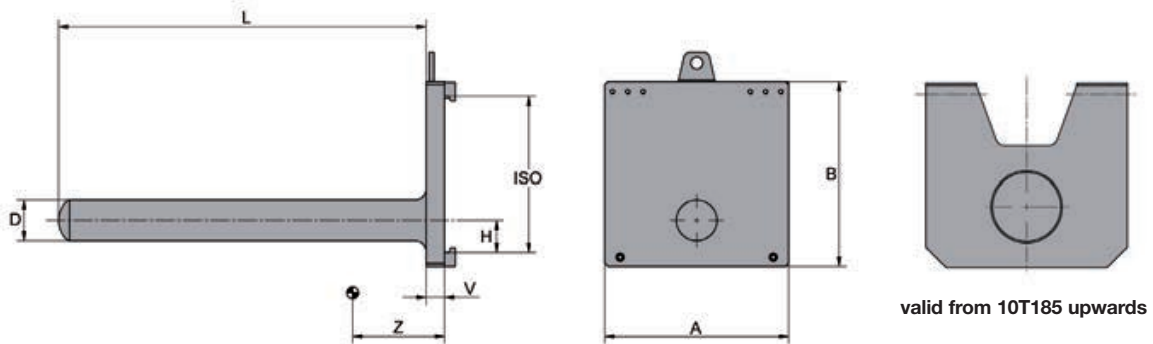


Ram length to be at least $\frac{2}{3}$ of roll length

Carpet Carrying Ram T185T

Model	D mm	A mm	B mm	H mm	L mm	Capacity in kg at mm LCD								ISO cl.	V mm	CofG Z mm	Weight kg	add-on weight per 100 mm kg
						500	750	1.000	1.250	1.500	1.750	2.000	2.500					
1T 185 T	45	500	500	55	1.000	530	350	260	210	170	150	130	100	2	30	93	76	1,25
1T 185 T	50	500	500	55	1.000	736	490	368	294	245	210	184	147	2	30	114	78	1,54
1T 185 T	55	500	500	55	1.000	980	653	490	392	326	280	245	196	2	30	128	81	1,86
1,5T185T	60	500	500	55	1.000	1.272	848	636	509	424	363	318	254	2	50	113	124	2,22
1,5T185T	65	500	500	55	1.000	1.614	1.076	807	645	538	461	403	323	2	50	123	128	2,60
2T 185 T	70	500	500	55	1.000	2.020	1.347	1.010	808	673	577	505	404	2	50	133	132	3,02
2T 185 T	75	500	500	55	1.000	2.484	1.656	1.242	993	828	708	621	497	2	50	143	135	3,46
3T 185 T	80	600	600	55	1.000	3.012	2.008	1.506	1.206	1.004	860	753	602	3	50	119	190	3,94
3T 185 T	85	600	600	55	1.000	3.618	2.412	1.809	1.447	1.206	1.034	905	723	3	50	139	197	4,45
4T 185 T	90	600	600	55	1.000	4.284	2.863	2.147	1.717	1.431	1.227	1.074	859	3	60	139	230	4,99
4T 185 T	95	600	600	55	1.000	5.050	3.367	2.525	2.020	1.683	1.443	1.263	1.010	3	60	147	235	5,56
5T 185 T	100	600	760	50	1.000	5.890	3.927	2.945	2.356	1.963	1.683	1.473	1.178	4	60	155	240	6,16
6T 185 T	110	600	760	50	1.000	6.100	4.066	3.050	2.440	2.033	1.743	1.525	1.220	4	60	146	300	7,46
7T 185 T	120	600	760	120	1.000	7.868	5.245	3.934	3.147	2.623	2.248	1.967	1.573	4	80	136	382	8,88
8T 185 T	130	600	760	120	1.000	10.066	6.710	5.033	4.026	3.355	2.876	2.517	2.013	4	80	154	400	10,42

Other ISO classes than indicated are available upon request.



Carrying Ram T185 - steel tube version

Model	D mm	A mm	B mm	H mm	L mm	Capacity in kg at mm LCD						ISO cl.	V mm	CofG Z mm	Weight kg	add-on weight per 100 mm kg	
						500	600	700	800	900	1.000						1.100
4 T 185	160	500	600	150	1.000	4.000	3.333	2.857	2.500	2.222	2.000	1.818	3	60	190	210	6,09
5 T 185	195	600	750	150	1.000	6.000	5.000	4.285	3.750	3.333	3.000	2.727	4	60	177	305	7,59
8 T 185	195	600	750	150	1.000	9.600	8.000	6.857	6.000	5.333	4.800	4.363	4	80	172	380	8,57
10 T 185	220	600	900	1.000	1.000	12.000	10.000	8.571	7.500	6.666	6.000	5.454	90	176	510	12,00	
15 T 185	300	800	1.000	1.000	1.000	18.000	15.000	12.857	11.250	10.000	9.000	8.181	100	138	760	11,80	
20 T 185	360	900	1.000	1.000	1.000	24.000	20.000	17.142	15.000	13.333	12.000	10.909	100	147	860	14,60	
25 T 185	360	1.000	1.000	1.000	1.000	30.000	25.000	21.428	18.750	16.666	15.000	13.636	100	166	1.000	20,50	
40 T 185	360	1.000	1.100	1.000	1.000	48.000	40.000	34.285	30.000	26.666	24.000	21.818	140	200	1.560	34,40	
60 T 185	420	1.000	1.200	1.000	1.000	80.000	66.666	57.142	50.000	44.444	40.000	36.363	140	210	1.730	41,50	
80 T 185	510	1.200	1.400	1.000	1.000	100.800	84.000	72.000	63.000	56.000	50.400	45.820	160	205	2.700	56,50	

Terminal West / Pin-Type mounting available upon request.

From 10T185 upwards the basic plate measurement A/B is only exemplary and should be adapted to the truck mounting.

Loading Bucket T184

Forklift trucks equipped with tipping buckets can attain very high capacities in transfer of loose materials, or when great lifting heights are to be reached (for instance when filling silos).

Since the specific gravity of tipped goods may vary from 0.9 tons per cubic meter (56 lbs. per cu. ft.) in the case of cereals to 3.5 tons per cubic meter (218 lbs. per cu. ft.). In the case of scrap, the selection of the appropriate bucket or shovel must take account of different points of view.

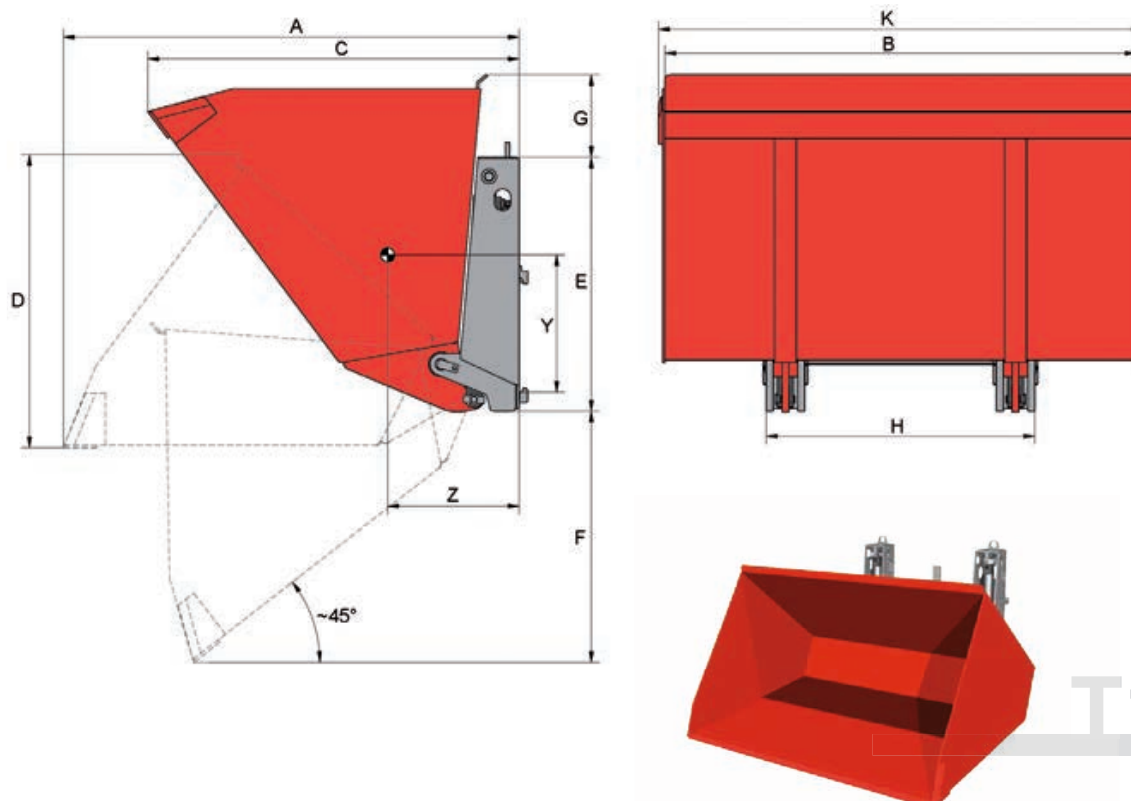
KAUP's tipping buckets for loose materials are designed for a specific gravity of 2 tons per cubic meter (125 lbs. per cu. ft.). For lighter materials, the bucket may be constructed at larger sizes; and for scraps of heavy materials, the dimensions may be reduced, always bearing in mind the capacity of the fork lift truck; these buckets can also be reinforced by stronger sheets or blades. They can further be fitted with bolted teeth, the number and spacing of which should be specified by client. When making use of such teeth, the sections forming the front blade will raise to approximately 15 mm = 9/16" from the bucket bottom, so that the teeth are framed on both sides. Welded teeth are only fixed on the upper part of the bucket, thus allowing to pick up fine stuffs.

When no particular criteria (such as the gap of a door or shelf, at the place of depositing the material, size of a receiving silo) limit the size of the shovel, its width will generally be of approximately 10 cm (4") more than the outside size between tires, so that the shovelling may leave the free traveling space for the truck. This consideration must take account of eventual dual wheels. Solutions are offered for numerous applications, in the form of special shovels or buckets always adapted to the type of operation purported (e. g. shovelling briquettes by means of parallel arms between which the coal dust will fall).

Description of the construction

- The bottom plate of the shovel is made of drawn sections, which enclose the powerful control hydraulic jacks, thus keeping them free from any damage.
- The wear-proof steel blade is raised at both ends.
- The bearings for the shovel and cylinder jacks are equipped with interchangeable bronze bushings.
- The tipping angle of 45°, combined with the front tilting of the lifting mast (approximately 5°), ensure a perfect emptying.





T184

Loading Bucket T184

1 hydraulic function

Loose goods such as sand, gravel, coal, grain, fertilizer, cement, clay, concrete etc. can be transported with the Loading Bucket (see approx. specific weights in table below). The Loading Bucket is tilted forward to the ground by means of hydraulic cylinders.

Important: ensure that the Loading Bucket is at least 200 mm wider than the forklift truck width, measured over the front axle, so that the wheels do not touch the goods to be scooped up.

Model	Cubic Capacity Loose			A mm	B mm	C mm	D mm	E mm	F mm	G mm	H mm	K mm	LCD mm	CofG Z mm	CofG Y mm	CofG _v mm	Weight kg
	Capacity kg	goods m ³	Water m ³														
Loose weight to 2.200 kg/m³																	
2 T 184.2	1.760	0,8	0,7	1.610	1.300	1.245	955	925	805	280	980	1.346	830	515	420	530	
2 T 184.2	2.200	1,0	0,9	1.610	1.650	1.245	955	925	805	280	980	1.696	830	525	435	590	
2 T 184.2	2.420	1,1	1,0	1.610	1.800	1.245	955	925	805	280	980	1.846	830	530	445	615	
Loose weight to 2.200 kg/m³																	
3 T 184.4	2.420	1,1	0,9	1.660	1.300	1.350	1.070	925	915	300	980	1.346	830	463	504	560	
3 T 184.4	2.640	1,2	1,0	1.660	1.500	1.350	1.070	925	915	300	980	1.546	830	474	508	594	
3 T 184.4	2.860	1,3	1,1	1.660	1.650	1.350	1.070	925	915	300	980	1.696	830	481	511	620	
3 T 184.4	3.080	1,4	1,2	1.660	1.800	1.350	1.070	925	915	300	980	1.846	830	487	514	646	
Loose weight to 2.500 kg/m³																	
4 T 184.1	5.000	2,0	1,4	1.780	2.000	1.410	1.135	1.230	810	210	1.004	2.046	890	548	561	835	
Loose weight to 2.200 kg/m³																	
6 T 184.4	6.600	3,0	2,4	2.250	2.400	1.990	1.370	1.265	1.190	245	1.143	2.484	1.125	700	595	1.620	
6 T 184.4	7.920	3,6	2,8	2.250	2.800	1.990	1.370	1.265	1.190	245	1.143	2.884	1.125	720	603	1.730	

A few specific weights of loads (kg/m³)

coal.....	700	fertilizer	1.200	mud, clay	2.100
grain, pulses	750	powder cement, unpacked	1.800	Thomasmeal	2.200
potatoes, turnips	750	sand, wet gravel.....	2.000	concrete	2.200
wet pit coal	1.000				

Snow Plough Blade T198G1 / T198FG1

A snow plough blade is one of many attachment variations for forklift truck operation. Snow clearing does not always take place on a level surface. It must be taken into account that obstacles such as kerb stones, manhole covers and gate fasteners are “hidden” under the snow. Therefore a snow plough blade with flexible spring flaps is recommended.

The spring flaps give way when meeting resistance which protects the blade and also principally the fork carriage, mast and the rollers which are exposed to damage.

Version A with hooks for fitting on ISO carriage



2T198 Snow Plough Blade

- with hooks for fitting on forklift truck carriage
- with tilting function to compensate slopes
- width 2.000 mm (clearance width 1.700 mm)
- with mechanical swivel to clear to right or left side
- with exchangeable polyurethane ridge on bottom of blade

2T198F

Version as 2T198 but with 4 spring flaps on bottom of blade which give way when meeting resistance therefore protecting the blade and forklift truck.

Version A can optionally be supplied with hydraulic swivel function.

Version B with fork pockets

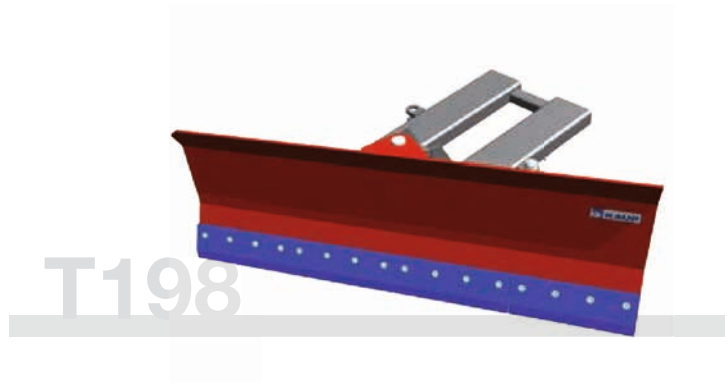
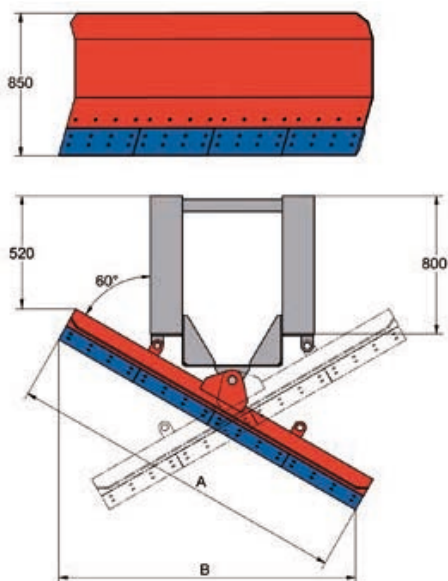
2T198G1 Snow Plough Blade

- with slip-in pockets for fitting on forklift truck forks
- width 2.000 mm (clearance width 1.700 mm)
- with mechanical swivel to clear to right or left side
- with exchangeable polyurethane ridge on bottom of blade

2T198FG1

Version as 2T198G1 but with 4 spring flaps on bottom of blade which give way when meeting resistance therefore protecting the blade and forklift truck.





Snow Plough Blade T198G1/T198FG1

mechanically tiltable - with fork pockets - to clear to right or left side

Model	Clearance width B mm	Width A mm	Weight kg
T 198 G 1 with polyurethane ridge	1.700	2.000	220
T 198 FG 1 with spring flaps (steel)	1.700	2.000	320



Carrying Ram T185 · Carpet Carrying Ram T185T



Loading Bucket T184



Snow Plough Blade T198G1 / T198FG1



KAUP attachments correspond to the requirements of the valid EC regulations regarding quality, safety and technical documentation. All technical data are subject to alteration.

KAUP is certified acc. to DIN EN ISO 9001



Helping hands for your Forklift truck

KAUP GmbH & Co. KG

Braunstrasse 17 · D - 63741 Aschaffenburg

☎ +49 6021 865-0 · 📠 +49 6021 865-213

E-Mail: kaup@kaup.de · www.kaup.de